

INBOUND EQUIPMENT INSPECTION



ARRIVAL DATE & TIME



SCHEDULED DATE

SCHEDULED TIME



ARRIVAL DATE

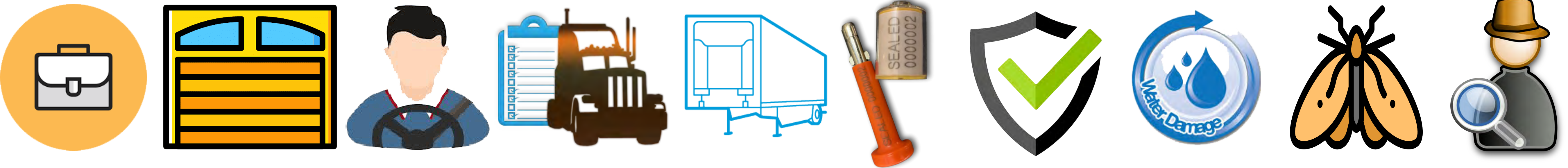
ARRIVAL TIME



INSPECTED BY



LIFT DRIVER

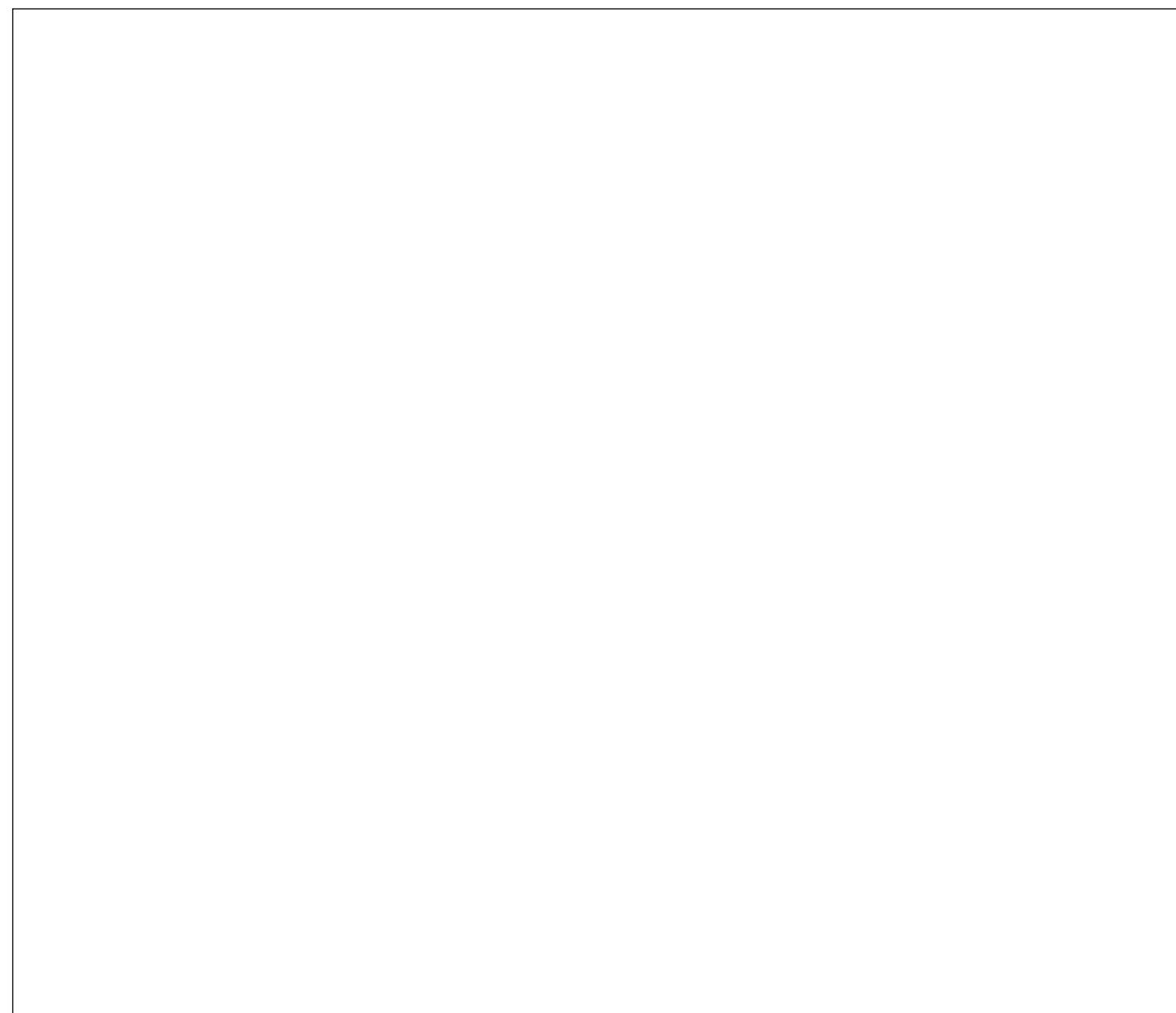


INBOUND EQUIPMENT INSPECTION

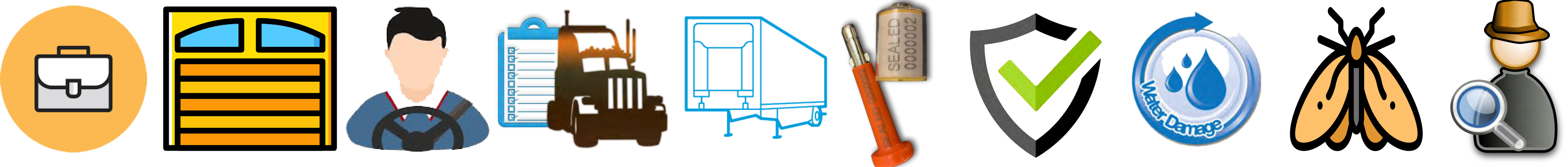
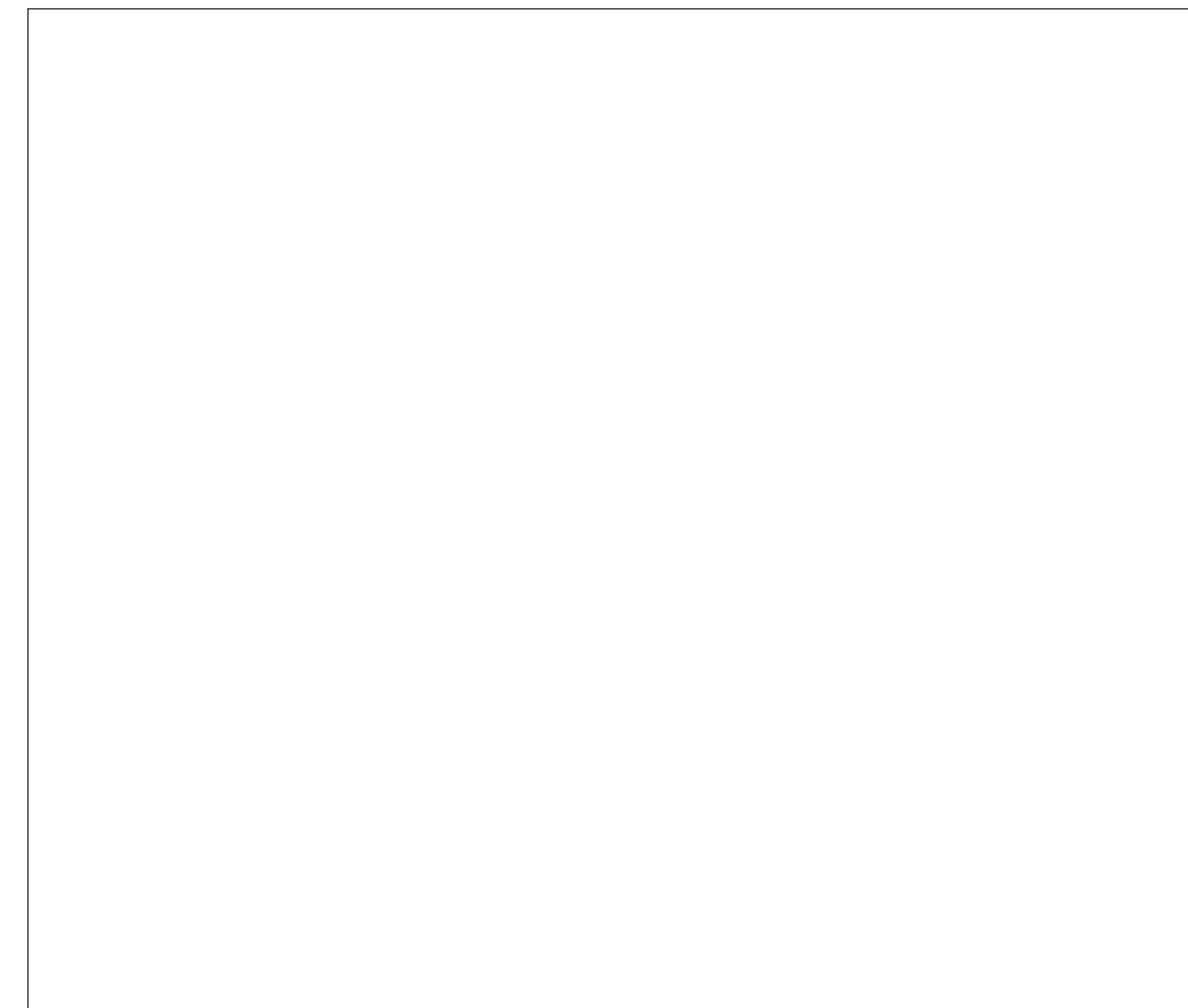
DOOR DETAILS



SCHEDULED DOOR



UNLOADING DOOR



INBOUND EQUIPMENT INSPECTION

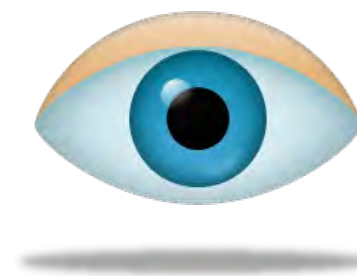


DRIVER DETAILS

CARRIER NAME

DRIVER NAME

WITNESSED EQUIP. NO.

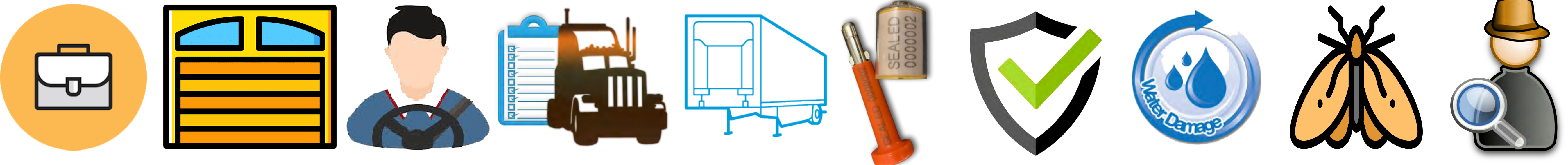


EXPECTED EQUIP. NO.

DRIVERS PERMIT



EQUIPMENT NO.



INBOUND EQUIPMENT INSPECTION



EQUIPMENT DETAILS

EQUIPMENT TYPE

- Refridgerated
- Dry box
- Container

TRACTOR TAG

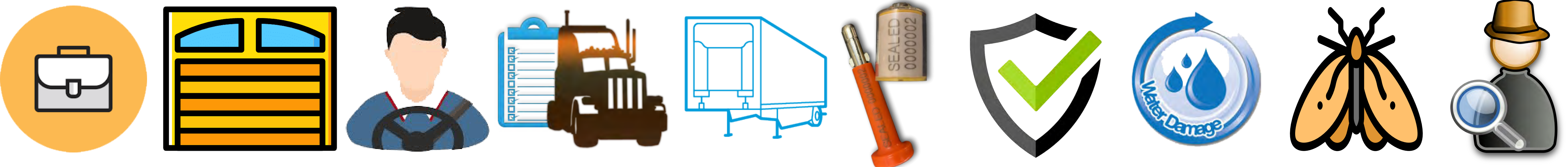


EQUIPMENT TAG



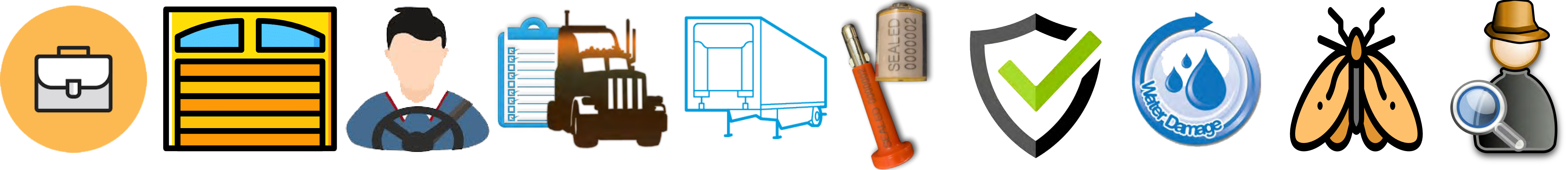
EQUIPMENT SIZE

-
-



INBOUND EQUIPMENT INSPECTION

EQUIPMENT DAMAGE LOG

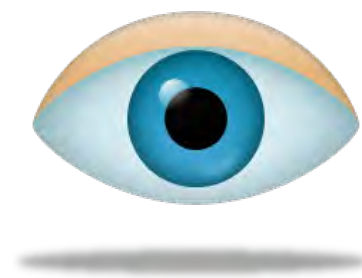


INBOUND EQUIPMENT INSPECTION

TAMPER PROOF SEAL DETAILS



WITNESSED SEAL NO.



EQUIP. SEAL

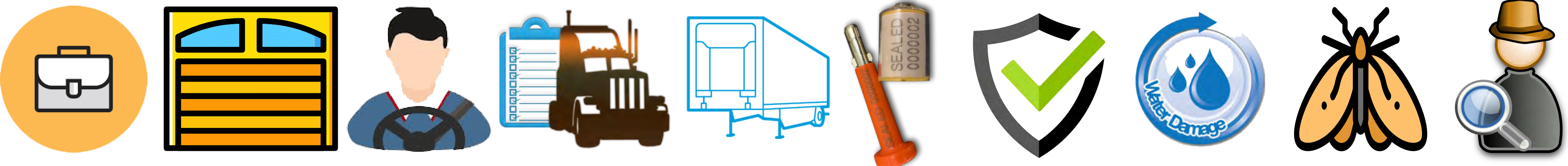


EXPECTED SEAL NO.

TAMPER SEAL INTACT (IF NO, REASON)

Yes

No



INBOUND EQUIPMENT INSPECTION

INTERNAL CARGO WATER PROTECTION




TYPE OF PROTECTION

- Paper
- Cardboard
-



DESICCANT BAG(S)

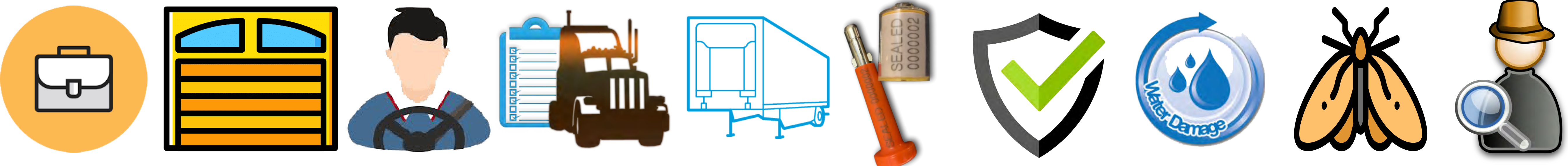
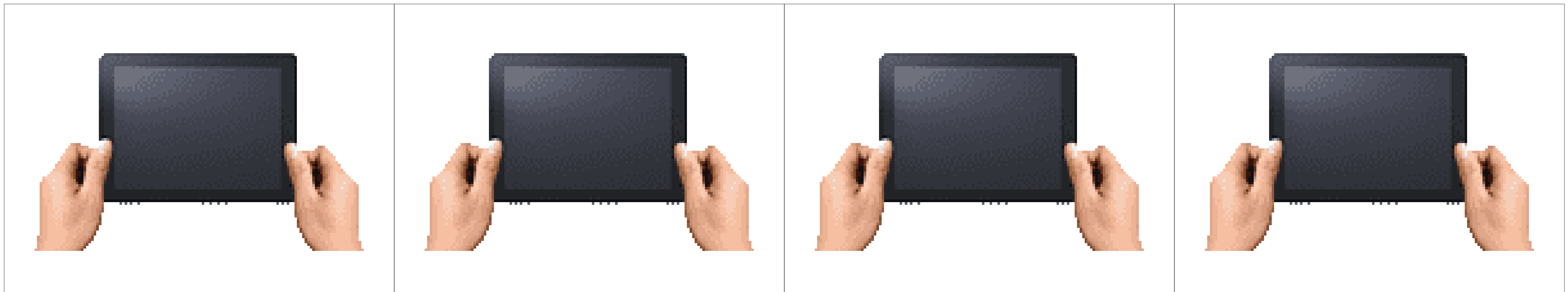
- None
- 1-4 
- 5 or more

LEFT SIDE

CEILING

FLOOR

RIGHT SIDE



INBOUND EQUIPMENT INSPECTION

INTERNAL CARGO SIGNS OF WATER



None

Minor

Major

LEFT SIDE

CEILING

FLOOR

RIGHT SIDE

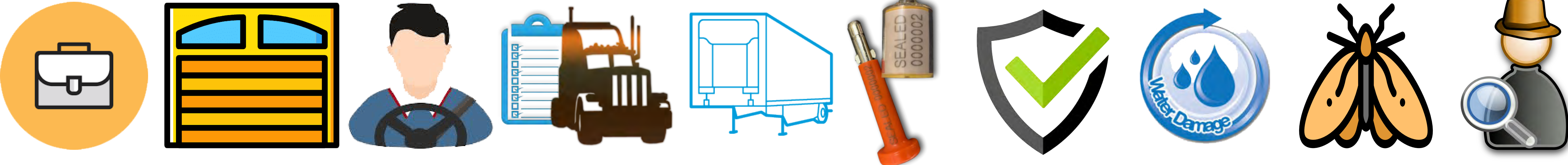


OPTIONAL-1

OPTIONAL-2

OPTIONAL-3

OPTIONAL-4



INBOUND EQUIPMENT INSPECTION



PEST ACTIVITY LOG

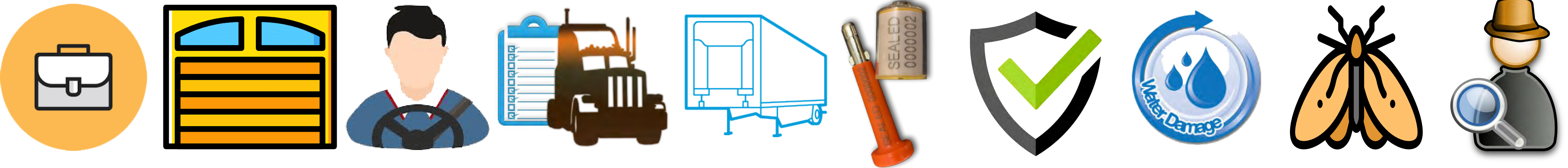
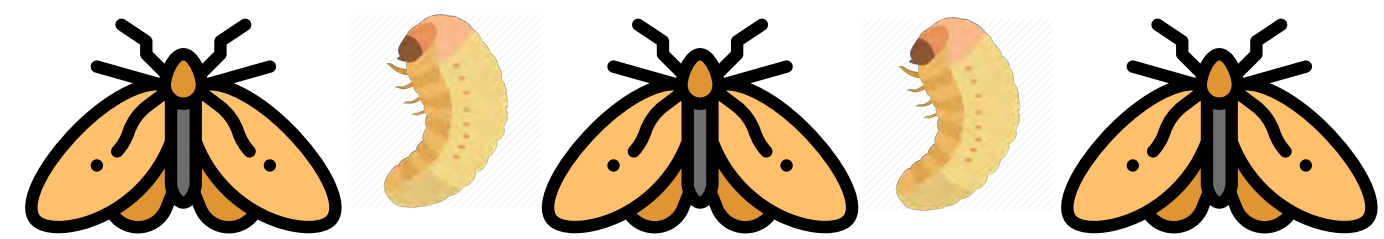
NO SIGN OF PEST ACTIVITY



MINOR SIGN OF PEST ACTIVITY



MAJOR SIGN OF PEST ACTIVITY



INBOUND EQUIPMENT INSPECTION

CARGO VALIDATION LOG



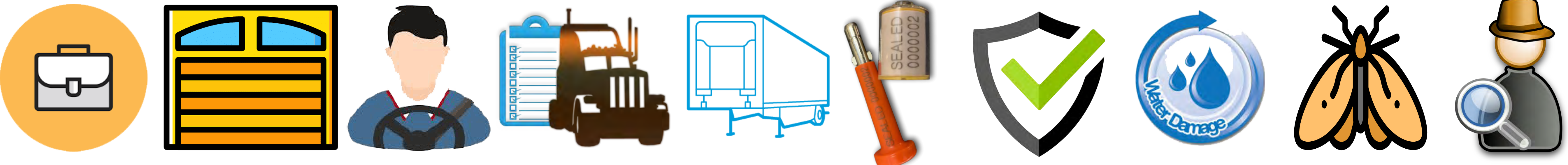
ORIGIN

MARKS

PACKAGING

LIST OF CERTIFICATIONS

BAG PICTURE

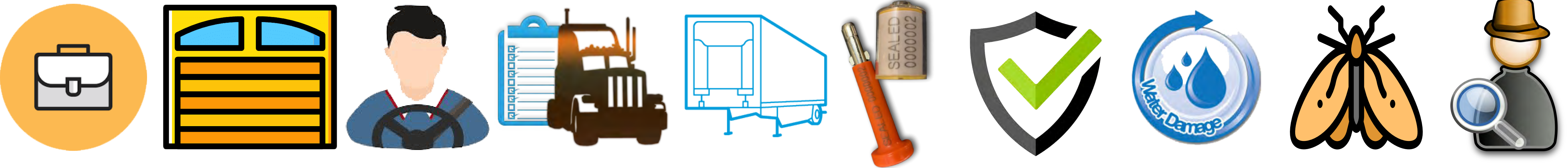



INBOUND EQUIPMENT INSPECTION

CLOSING COMMENTS



INSPECTION COMPLETED.



	Manufacturing Company Name: GBH Depot Inc.	Controlled Document No: 03B10F15G68	Rev. No 1.00	Latest Revision Date: 05 February 2020
	Document Title: Inbound Equipment Inspection Report			Paging Information: Page 1 of 3

INBOUND EQUIPMENT - INSPECTION REPORT


Arrival Date?	1	Arrival time?	2	Inspected by?	3	Door?	4	GBH reference ID	5
Carrier name?	6	Driver name?	7	Equipment type?		8		Equipment size?	9
				Refer Trailer Container					
Equipment damage record							11	Equipment plate no?	10
								[Pic 1]	
							Expected equipment number		12
							Witnessed equipment number?		13
							Is tamper seal intact?		14
							YES NO		
							If no, reason?		15
							Expected seal number		16
							Witnessed seal number?		17
							Door latches functional?		18
YES NO									
Rubber door seals intact?		19							
YES NO									
Inspection schedule							21	Door seal leaking?	
Hole (Opened into inside) ● Dented (Bent Metal) ● Rust (Corrosion) ●							YES NO		

INBOUND EQUIPMENT – INTERNAL CARGO INSPECTION

Coffee Origin expected	25	Bag Marks expected	27	Packaging expected	29	Condensation protection type			22		
						Paper Cardboard Other					
Coffee Origin witnessed?	26	Bag Marks witnessed?	28	Packaging witnessed?	30	Water protection "Other" description				23	
Visible water/condensation?	31	Visible pest activity?	32	Visible desiccant bags?	33	Trailer stuffing protection placed on...					24
NO MINOR MAJOR		YES NO		YES NO		F Bk SR Fr SL C					

INBOUND EQUIPMENT – CLOSING INSPECTION COMMENTS & SIGNATURES

Comments	35	Drivers Permit Picture	36	Internal use	37
		[Driver's Licence Pic]			
GBH Agent Name & Signature I acknowledgment the accuracy of this inspection report.		Carrier Agent's Name & Signature I acknowledgment the accuracy of this inspection report.			

	Manufacturing Company Name: GBH Depot Inc.	Controlled Document No: 03B10F15G68	Rev. No 1.00	Latest Revision Date: 05 February 2020
	Document Title: Inbound Equipment Inspection Report			Paging Information: Page 2 of 3

	Manufacturing Company Name: GBH Depot Inc.	Controlled Document No: 03B10F15G68	Rev. No 1.00	Latest Revision Date: 05 February 2020
	Document Title: Inbound Equipment Inspection Report			Paging Information: Page 3 of 3
